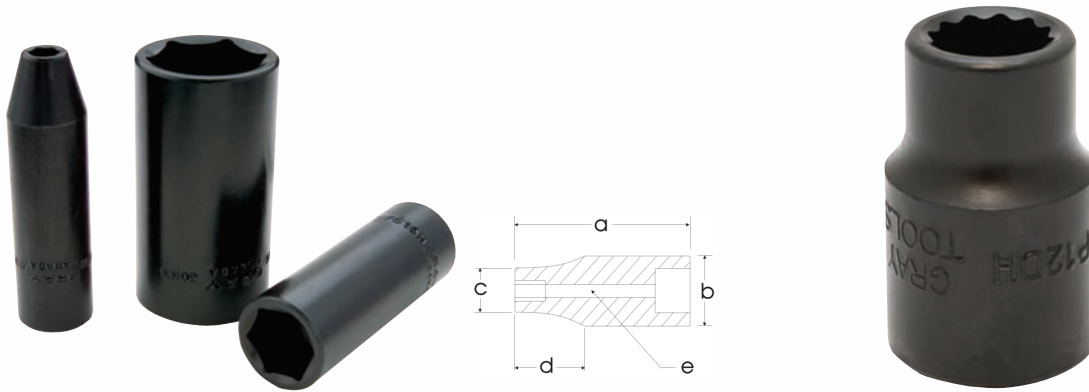


1/2" DRIVE SOCKETS & ATTACHMENTS



6 Point Deep Length - Impact Black Industrial Finish

Hex Size	6 Point Part No.	Overall Length mm a	Drive End mm b	Hex End mm c	Taper Length mm d	Bolt Clearance mm e
8mm	MPD08H	78	22	15	17	6
9mm	MPD09H	78	22	15	17	7
10mm	MPD10H	78	22	17	17	8
11mm	MPD11H	78	22	18	17	9
12mm	MPD12H	78	22	19	17	10
13mm	MPD13H	78	24	20	17	11
14mm	MPD14H	78	24	22	17	12
15mm	MPD15H	78	24	24	-	13
16mm	MPD16H	78	24	24	-	14
17mm	MPD17H	78	26	26	-	15
18mm	MPD18H	78	26	26	-	16
19mm	MPD19H	78	28	28	-	17
20mm	MPD20H	78	30	30	-	18
21mm	MPD21H	78	30	30	-	19
22mm	MPD22H	78	32	32	-	20
23mm	MPD23H	78	32	32	-	21
24mm	MPD24H	78	34	34	-	22
25mm	MPD25H	82	35	35	-	20
27mm	MPD27H	78	38	38	-	25
30mm	MPD30H	78	42	42	-	28
36mm	MPD36H	78	48.5	48.5	-	34

12 Point Standard Length - Impact Black Industrial Finish

Hex Size	12 Point Part No.	Overall Length mm a	Drive End mm b	Hex End mm c	Taper Length mm d	Bolt Clearance mm e
10mm	MP10DH	38	24	17	16	8
11mm	MP11DH	38	24	18	16	9
12mm	MP12DH	38	24	19	16	10
13mm	MP13DH	38	24	20	16	11
14mm	MP14DH	38	24	22	16	12
15mm	MP15DH	38	24	24	-	13
16mm	MP16DH	38	24	24	-	14
17mm	MP17DH	38	26	26	-	15
18mm	MP18DH	38	26	26	-	16
19mm	MP19DH	38	28	28	-	17
20mm	MP20DH	38	30	30	-	18
21mm	MP21DH	38	30	30	-	19
22mm	MP22DH	38	32	32	-	20
23mm	MP23DH	38	32	32	-	21
24mm	MP24DH	45	34	34	-	22
30mm	MP30DH	50	38	42	-	28
32mm	MP32DH	50	38	44	-	30

6 Point Universal Joint Socket - Impact Black Industrial Finish

Hex Size	6 Point Part No.	Overall Length in. a	Drive End in. b	Hex End in. c
7/16"	PHU14	2.56	1.10	0.67
1/2"	PHU16	2.56	1.10	0.75
9/16"	PHU18	2.56	1.10	0.86
5/8"	PHU20	2.56	1.10	0.91
11/16"	PHU22	2.56	1.10	1.02
3/4"	PHU24	2.56	1.10	1.09
13/16"	PHU26	2.56	1.10	1.17
7/8"	PHU28	2.56	1.10	1.25
15/16"	PHU30	2.56	1.10	1.33
1"	PHU32	2.56	1.10	1.41



Federal Spec. CDA 39-GP-12M U.S. GGG-W-660A ANSI B107.2